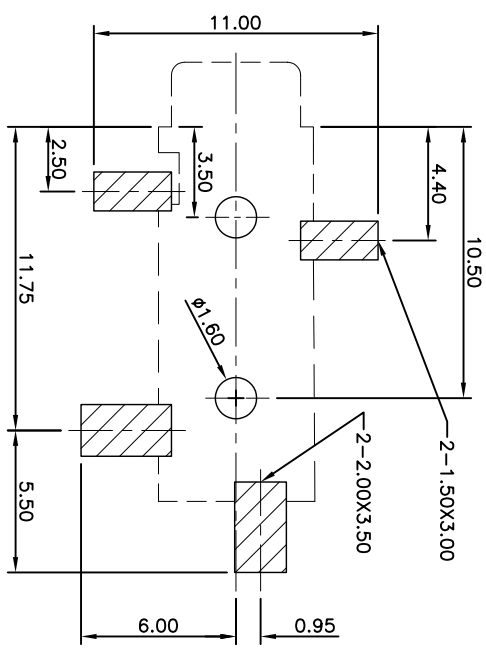
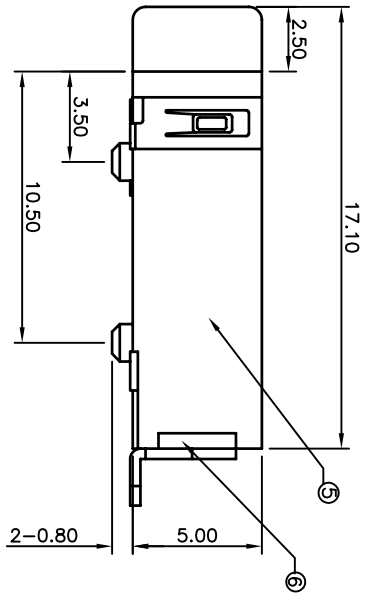
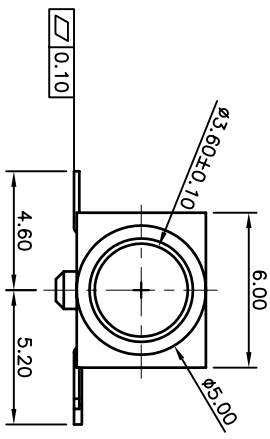


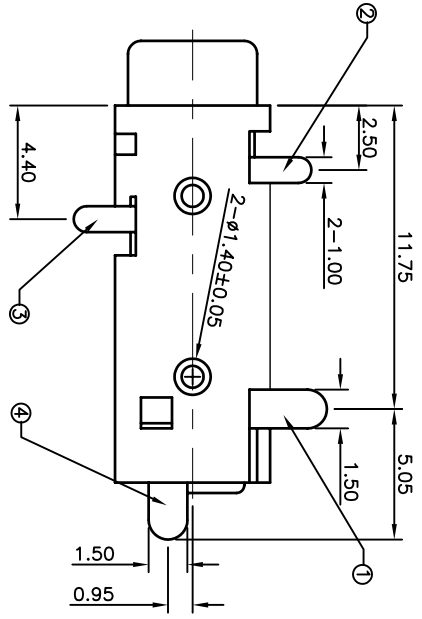
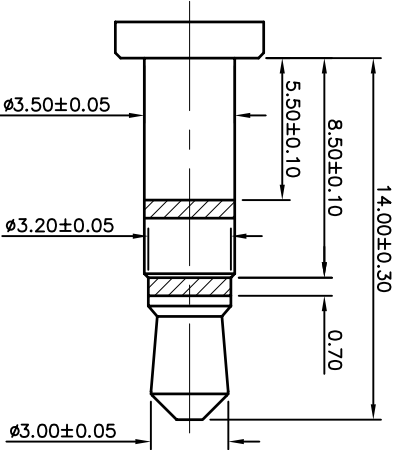
This document is the property of Amphenol Corporation and is delivered on the express condition that it is not to be disclosed, reproduced or used, in whole or in part, for manufacture or sale by anyone other than Amphenol Corporation without its prior consent, & that no right is granted to disclose or to use any information in this document.

CUSTOMER DRAWING

REVISIONS		DATE	APPROVED
1			
2	ADD PLATING OPTIONS	Oct.28'08	IP
3	Change the part number	Mar.15'10	IP

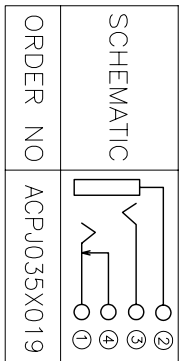


P.C.B. LAYOUT
Tol:±0.05



(Ø3.50 3 POLE PLUG DETAIL DRAWING)

ITEM	PART NAME	Q'TY	MATERIAL	FINISH	REMARK
⑥	COVER	1	HIGHT TEMPERATURE PLASTIC		Block
⑤	HOUSING	1	HIGHT TEMPERATURE PLASTIC		Block
④	CONTACT ④	1	COPPER ALLOY	Au/NI: Plated	
③	CONTACT ③	1	COPPER ALLOY	Au/NI: Plated	
②	CONTACT ②	1	COPPER ALLOY	Au/NI: Plated	
①	CONTACT ①	1	COPPER ALLOY	Au/NI: Plated	



- NOTES:
 1.MATERIALS:
 HSG,COVER AND CONTACTS,SEE SHEET 1
 2.FINISH:
 OPTIONAL PLATING ON CONTACT AREA,SEE NOTE 4;
 50U" MIN.NICKEL UNDERPLATING OVERALL.
 3.ROHS COMPLIANT.
 4.ORDER P/N:
 ACPJ-035-X-019

- PLATING OPTIONS
 1-GOLD FLASH ON ALL PINS
 2-20U" SILVER PLATING ON ALL PINS
 3-30U" GOLD ON CONTACT AREA,GOLD FLASH ON SOLDER AREA

UNLESS OTHERWISE SPECIFIED

TOLERANCES	U.S.	METRIC
X	0.50	0.50
XX	0.25	0.25
XXX	0.20	0.20
FRACTIONS +/-		
ANGLES +/-	5°	

FOR MATERIALS AND FINISHES SEE NOTES

APPROVAL	DATE
DRAWN Paul Dong	Mar.15'10
CHECKED Kevin Xie	Mar.15'10

DRAWING FILE : DRAWING\035\035X019-32AW

ANGLE OF PROJECTION

Amphenol

TITLE: **Ø3.5 AUDIO JACK,SMT**

SIZE: **A4** DRAWING NO: **C ACPJ-035-X-019** REV: **3**

SCALE: **NONE** SHEET **1** OF **1**

SHEET 1